



18 GHz SMA LATCHING TRANSFER SWITCH

OPTIONS: INDICATOR

**R F CHARACTERISTICS**

FREQUENCY RANGE : 0 - 18 GHz  
 IMPEDANCE : 50 Ohms

|                 |         |         |         |          |
|-----------------|---------|---------|---------|----------|
| FREQUENCY (GHz) | 0 - 3   | 3 - 8   | 8 -12.4 | 12.4- 18 |
| V.S.W.R <=      | 1.20    | 1.30    | 1.40    | 1.50     |
| INSERT. LOSS <= | 0.20 dB | 0.30 dB | 0.40 dB | 0.50 dB  |
| ISOLATION >=    | 80 dB   | 70 dB   | 65 dB   | 60 dB    |
| AVER. POWER (*) | 240 W   | 150 W   | 120 W   | 100 W    |

**ELECTRICAL CHARACTERISTICS**

ACTUATOR : LATCHING  
 NOMINAL CURRENT AT 25° C (±10%) : 320 mA  
 ACTUATOR VOLTAGE (Vcc) : 12V (10.2 to 13V)/ POSITIVE COMMON  
 TERMINALS : solder pins (250 Deg.C max./30 sec)  
 INDICATOR RATING : 1 W / 30 V / 100 mA

**MECHANICAL CHARACTERISTICS**

CONNECTORS : SMA female per MIL C 39012  
 LIFE : 2.500.000 cycles  
 SWITCHING TIME (nominal voltage;25° C) : < 15 ms  
 CONSTRUCTION : splashproof  
 WEIGHT : < 85 g

**ENVIRONMENTAL CHARACTERISTICS**

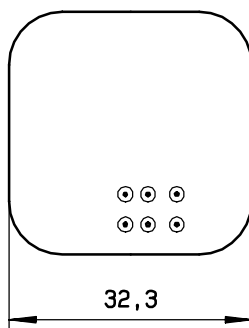
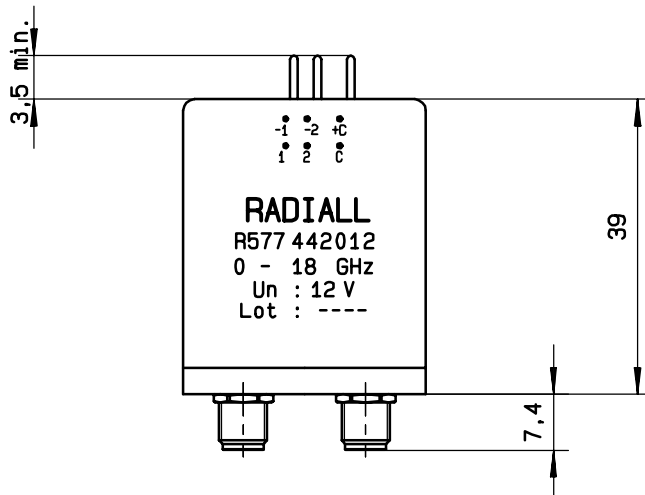
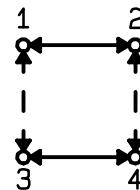
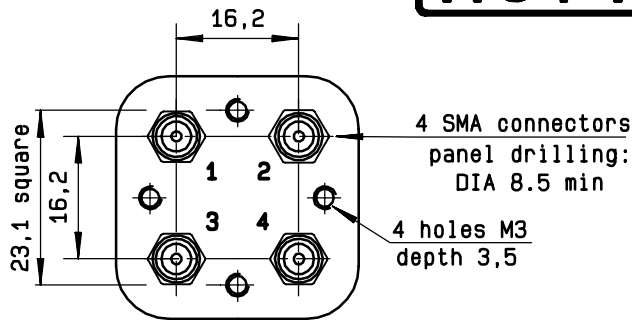
OPERATING TEMPERATURE RANGE (°C) : -40 , +85  
 STORAGE TEMPERATURE RANGE (°C) : -55 , +85

(\* : average power at 25° C)

This information is given as an indication. In the continual goal to improve our products, we reserve the right to make any modifications judged necessary

4112-9212

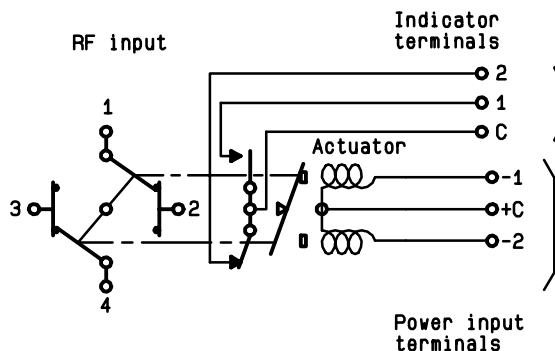
**DRAWING**



General tolerance: ± 0,5 mm

**SCHEMATIC DIAGRAM**

| Voltage | RF continuity  | Indicator |
|---------|----------------|-----------|
| + C - 1 | 1 ↔ 3    2 ↔ 4 | C . 1     |
| + C - 2 | 1 ↔ 2    3 ↔ 4 | C . 2     |



This information is given as an indication. In the continual goal to improve our products, we reserve the right to make any modifications judged necessary

4113-9212